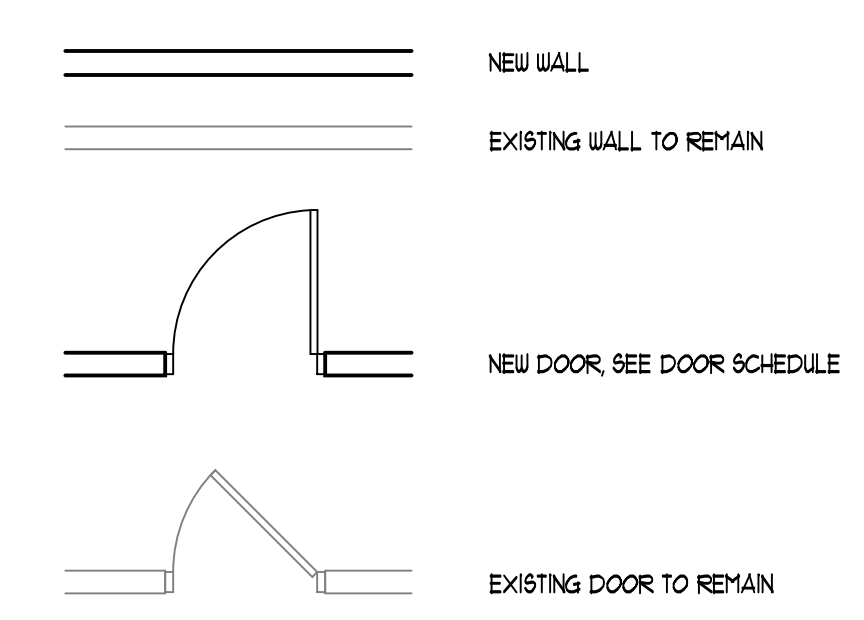


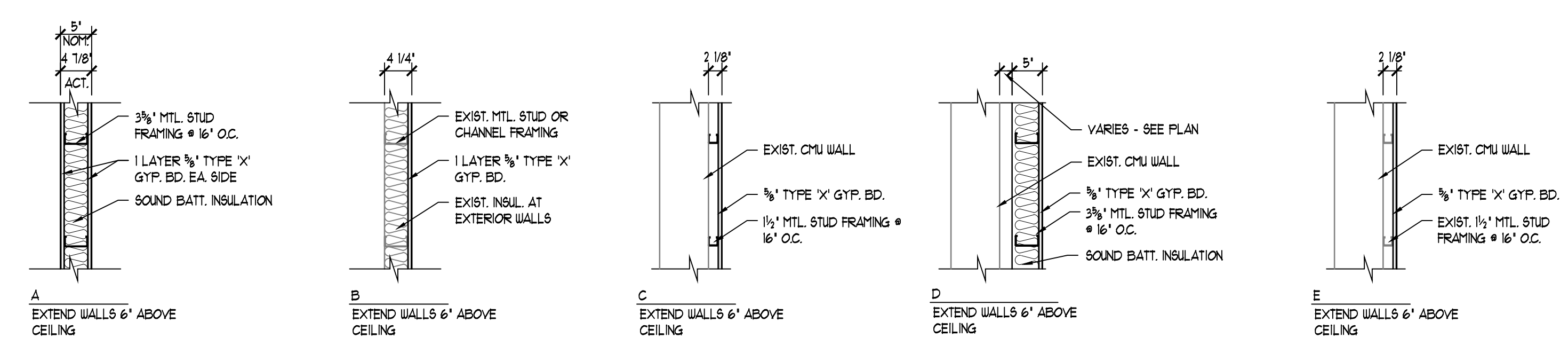
FLOOR PLAN
 A2.0 1/8" = 1'-0"

FLOOR PLAN LEGEND



WALL TYPES

1. ALL WALLS TO BE TYPE 'A' UNLESS NOTED OTHERWISE.
2. ALL GYP. BD. TO BE 'T' TYPE 'X' UNLESS NOTED OTHERWISE.
3. PROVIDE DEFLECTION TRACK AT UNDERSIDE OF MTL. DECK UNO.
4. PROVIDE WALL BRACING TO STRUCTURE ABOVE AS REQUIRED.



REVISIONS:
 WELDY LAMONT OFFICE EXPANSION
 1040 W. NW Highway, Mount Prospect, IL
 FLOOR PLAN & PARTITION TYPES
 2610 Lake Cook Road
 Suite 280
 Riverwoods, IL 60015
 Ph.: (847) 940-0300
 Fax: (847) 940-1045
Partners in Design
 ARCHITECTS
 PROJECT NO.:
 65513.117
 DRAWN BY: EOB
 CHECKED BY: CT8
 DATE: 03.05.14
 SHEET NO.:
 A2.0