

For Lease

269-10,192 SF



820 Towers I 305 NE Loop 820 Hurst, Texas 76053

Property Features

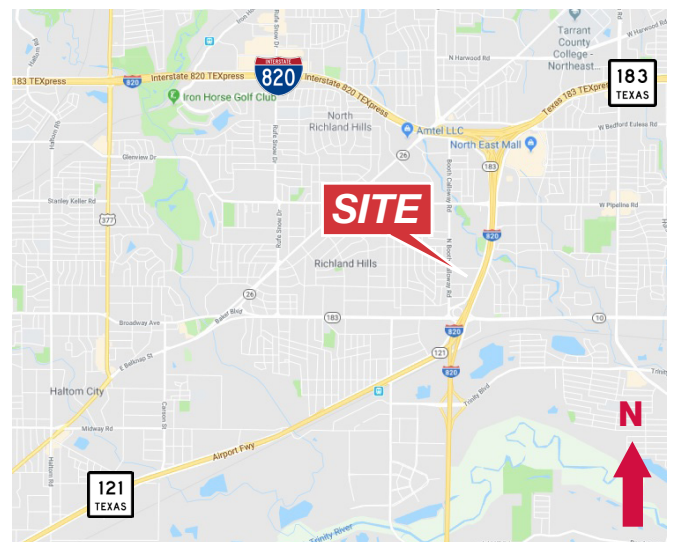
- 6/1000 Parking Ratio
- Full Floor Availability
- Recently Remodeled Common Areas

Available Suites

- | | | | |
|-------------|----------|-------------|----------|
| • Suite 100 | 445 SF | • Suite 200 | 5,281 SF |
| • Suite 101 | 269 SF | • Suite 210 | 4,911 SF |
| • Suite 109 | 1,080 SF | • Suite 513 | 885 SF |

Colt Power, SIOR, CCIM

817 872 3905
cpower@robertlynn.com



1200 Summit Avenue Suite 800
Fort Worth, TX 76102
817 855 8333

nairl.com

For Lease

269-10,192 SF

820 Towers I 305 NE Loop 820

Hurst, Texas 76053



For Lease

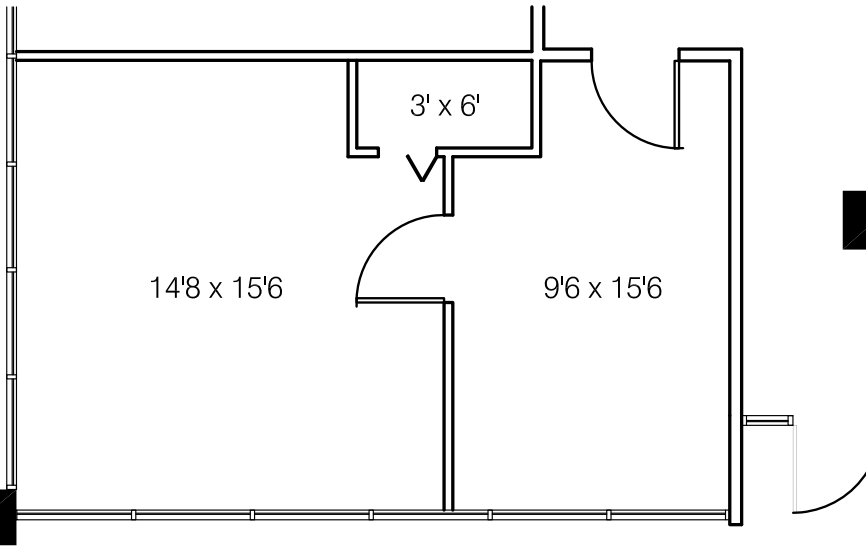
269-10,192 SF

820 Towers I 305 NE Loop 820

Hurst, Texas 76053

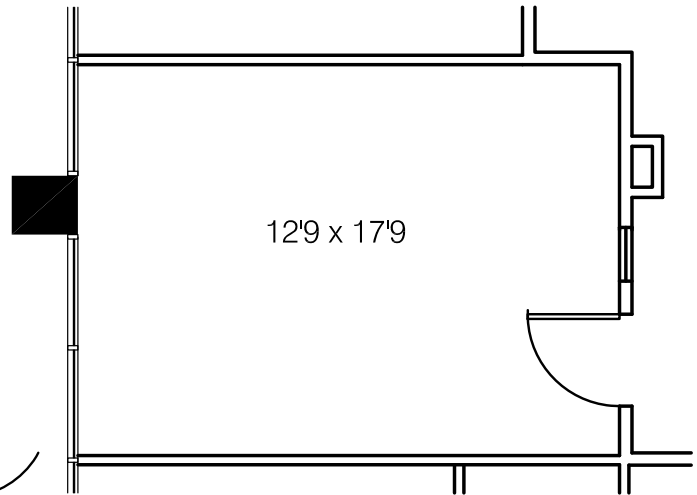
Suite 100

445 SF



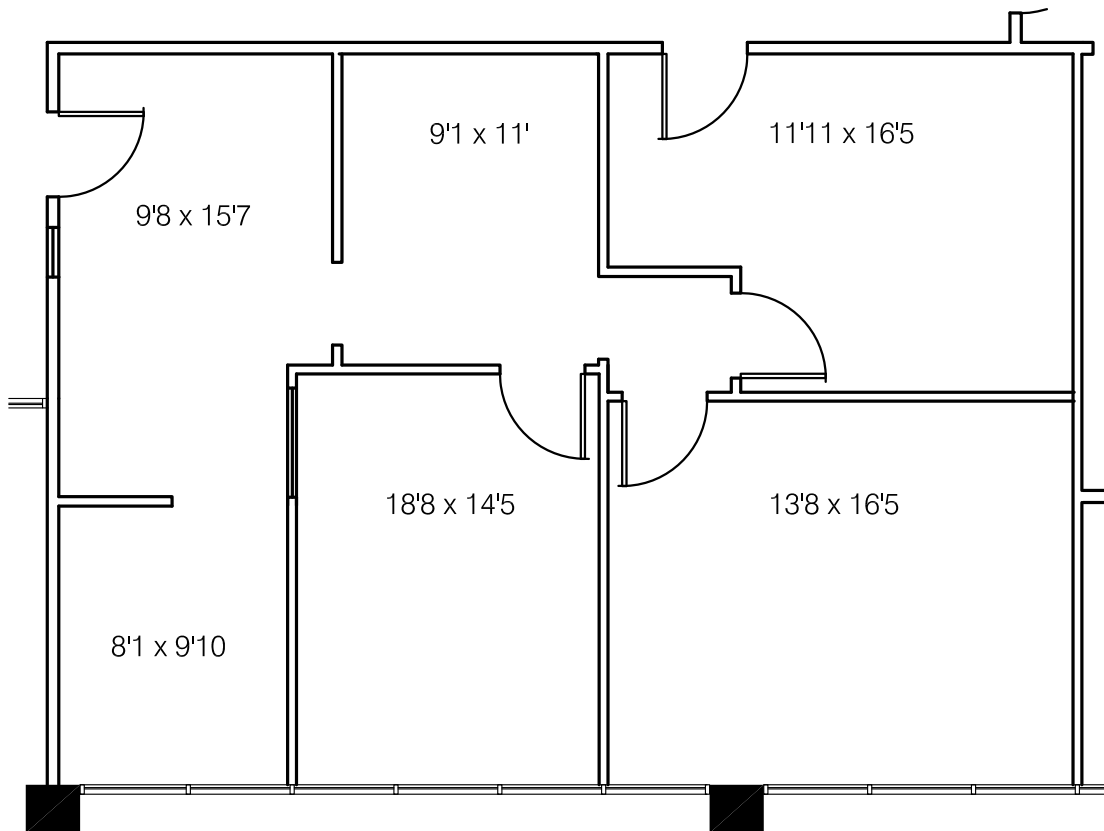
Suite 101

269 SF



Suite 109

1,080 SF



For Lease

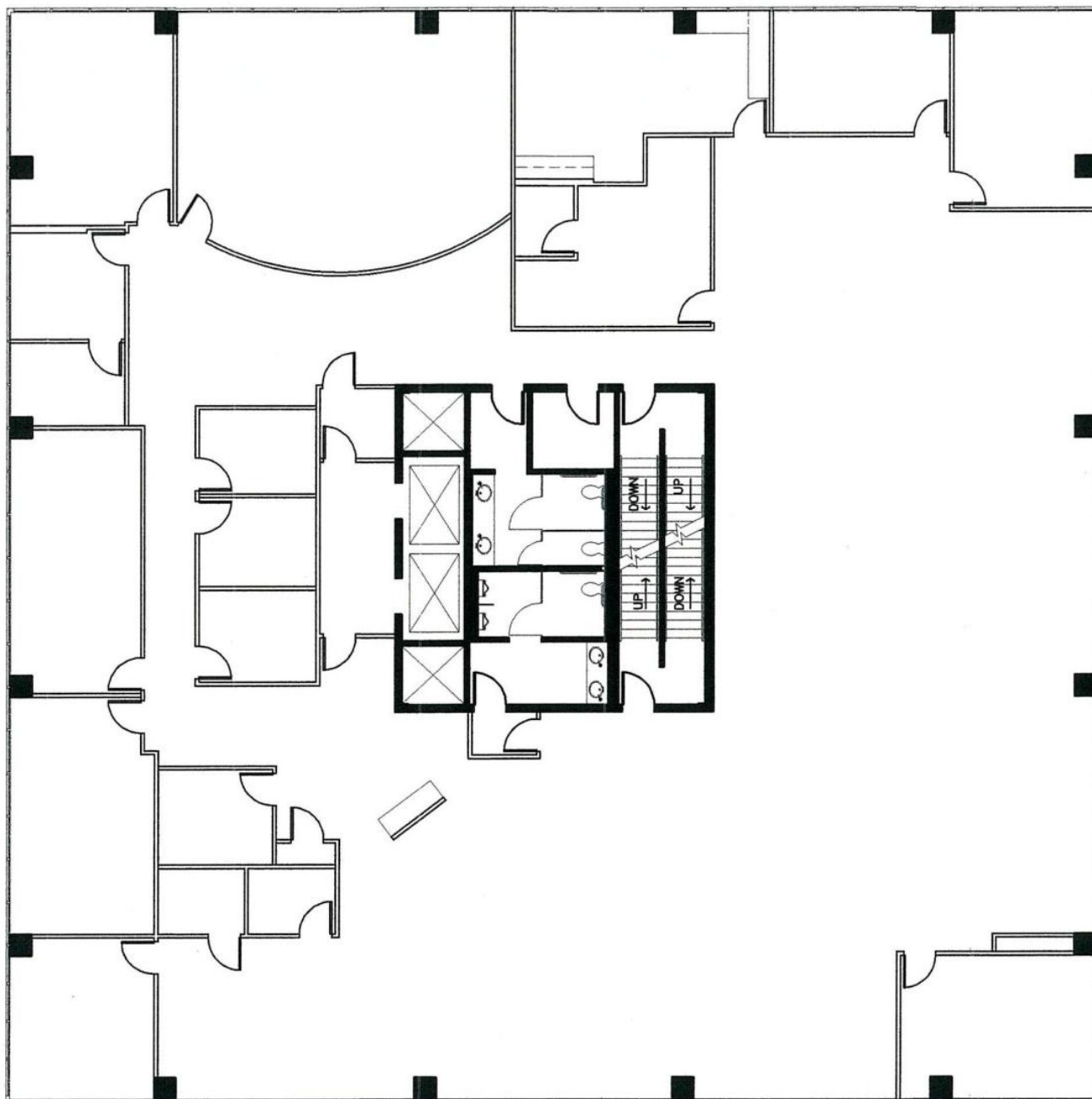
269-10,192 SF

820 Towers I 305 NE Loop 820

Hurst, Texas 76053

Full Floor

Suites 200 & 210 Combined



2ND FLOOR

For Lease

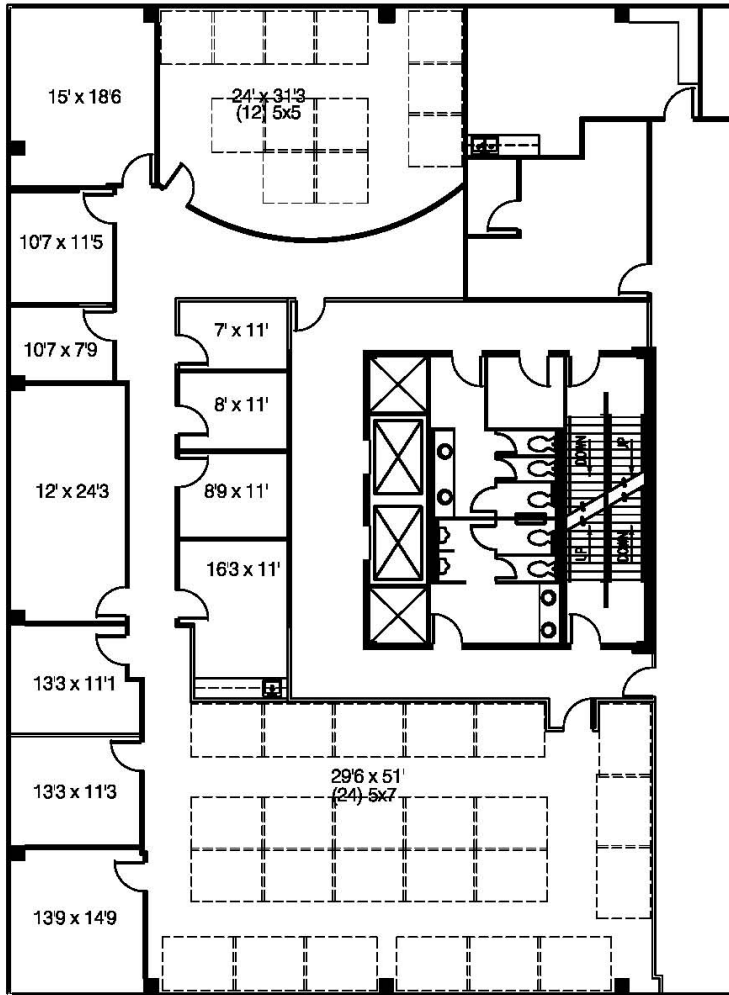
269-10,192 SF

820 Towers I 305 NE Loop 820

Hurst, Texas 76053

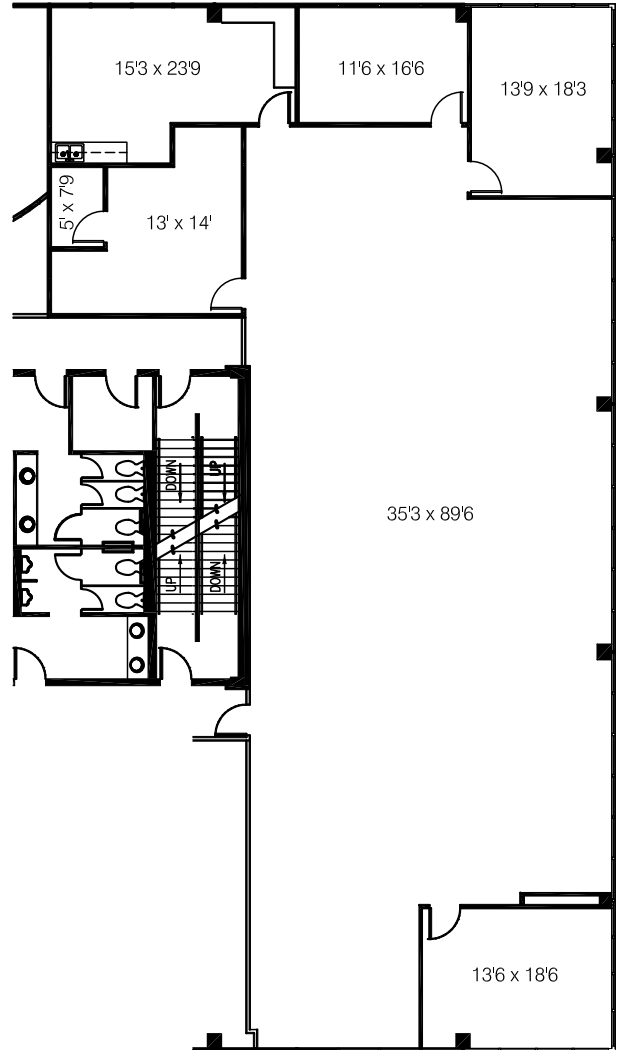
Suite 200

5,281 SF



Suite 210

4,911 SF



For Lease

269-10,192 SF

820 Towers I 305 NE Loop 820

Hurst, Texas 76053

Suite 513

885 SF

