



7927 CYPRESS CREEK PARKWAY

8,000 SF Building Available For Lease

SEQ of Cypress Creek Parkway and Tomball Parkway | Houston, Texas

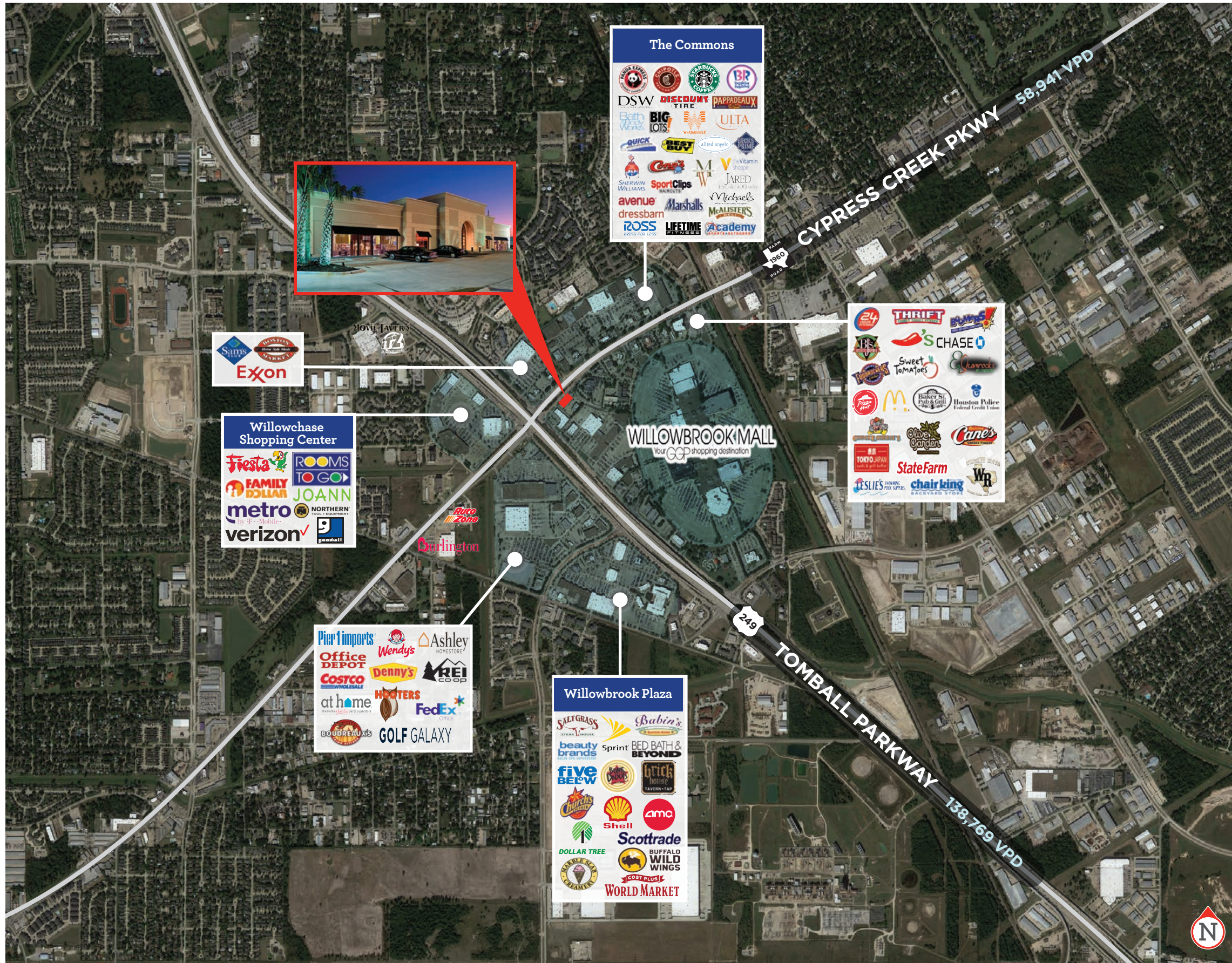


Glenn Dickerson | John Nguyen | 281.477.4300

Leasing | Tenant Representation | Development | Land Brokerage | Acquisition | Property Management

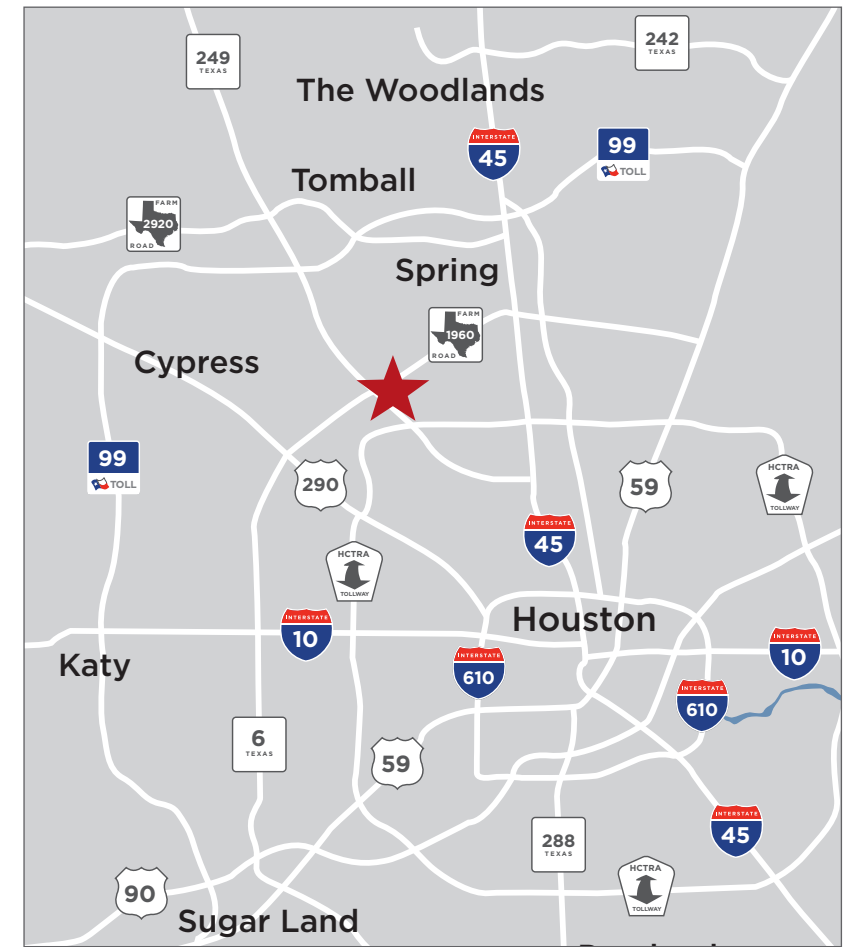
7927 Cypress Creek Parkway

SEQ of Cypress Creek Parkway and Tomball Parkway | Houston, Texas



This 8,000 SF building can be leased as a whole or subdivided if needed. A ground lease on the tract is also available if desired.

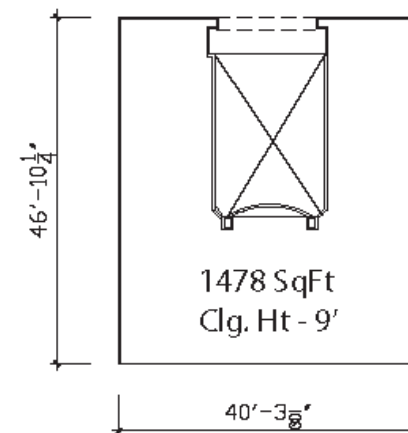
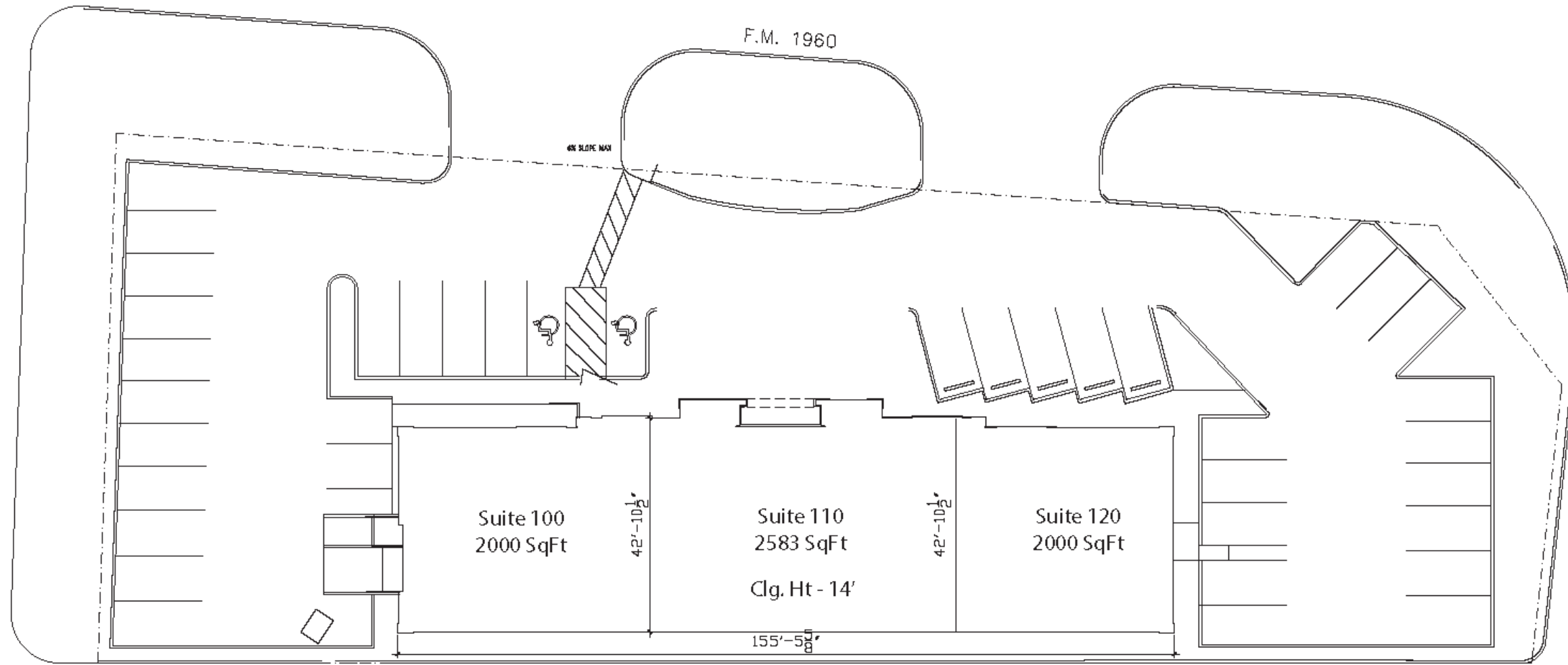
Please call for lease rates.



Glenn Dickerson
281.477.4384
gdickerson@newquest.com

John Nguyen
281.477.4326
jnguyen@newquest.com





1st Floor : 6583 sq-ft

2nd Floor : 1478 sq-ft

DEMOGRAPHICS

2010 Census, 2018 Estimates with
Delivery Statistics as of 12/18

	1 Mile	3 Miles	5 Miles
POSTAL COUNTS			
Current Households	4,997	40,056	112,386
Current Population	10,172	101,065	315,312
2010 Census Average Persons per Household	2.04	2.52	2.81
2010 Census Population	10,177	88,795	280,547
Population Growth 2010 to 2018	-0.02%	14.23%	12.68%
CENSUS HOUSEHOLDS			
1 Person Household	40.37%	27.95%	22.67%
2 Person Households	25.58%	31.38%	29.62%
3+ Person Households	34.05%	40.67%	47.71%
Owner-Occupied Housing Units	29.69%	57.82%	63.74%
Renter-Occupied Housing Units	70.31%	42.18%	36.26%
RACE AND ETHNICITY			
2018 Estimated White	47.13%	55.63%	53.86%
2018 Estimated Black or African American	21.21%	16.47%	17.49%
2018 Estimated Asian or Pacific Islander	16.13%	13.92%	13.10%
2018 Estimated Other Races	14.76%	13.33%	14.92%
2018 Estimated Hispanic	31.51%	30.45%	33.31%
INCOME			
2018 Estimated Average Household Income	\$66,709	\$92,935	\$94,271
2018 Estimated Median Household Income	\$53,904	\$70,592	\$73,701
2018 Estimated Per Capita Income	\$31,041	\$37,752	\$34,954
EDUCATION (AGE 25+)			
2018 Estimated High School Graduate	19.27%	20.85%	22.51%
2018 Estimated Bachelors Degree	26.08%	24.98%	22.75%
2018 Estimated Graduate Degree	13.33%	11.92%	10.56%
AGE			
2018 Median Age	31.7	35.6	34.9

Our quest is your success.

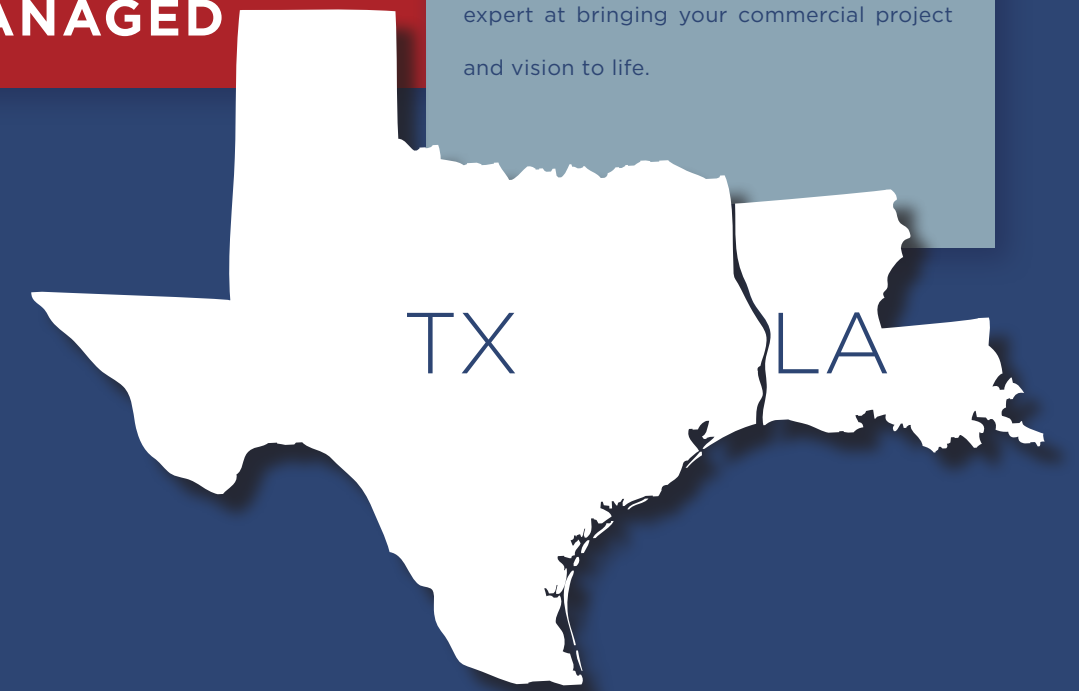
9.9M SF
OWNED

12.1M SF
LEASED

10.8M SF
MANAGED

Specializing in retail space leasing, asset and property management, development, land brokerage, investment sales and tenant representation, NewQuest Properties is one of the premier commercial real estate brokerage firms in Texas and Louisiana.

Our dedicated team excels at meeting your needs and exceeding all expectations. From retail center development, leasing, acquisition and financing to architectural design, marketing, space planning, asset and property management, NewQuest is an expert at bringing your commercial project and vision to life.





Information About Brokerage Services

Texas law requires all real estate license holders to give the following information about brokerage services to prospective buyers, tenants, sellers and landlords.

TYPES OF REAL ESTATE LICENSE HOLDERS:

- A BROKER is responsible for all brokerage activities, including acts performed by sales agents sponsored by the broker.
- A SALES AGENT must be sponsored by a broker and works with clients on behalf of the broker.

A BROKER'S MINIMUM DUTIES REQUIRED BY LAW (A client is the person or party that the broker represents):

- Put the interests of the client above all others, including the broker's own interests;
- Inform the client of any material information about the property or transaction received by the broker;
- Answer the client's questions and present any offer to or counter-offer from the client; and
- Treat all parties to a real estate transaction honestly and fairly.

A LICENSE HOLDER CAN REPRESENT A PARTY IN A REAL ESTATE TRANSACTION:

AS AGENT FOR OWNER (SELLER/LANDLORD): The broker becomes the property owner's agent through an agreement with the owner, usually in a written listing to sell or property management agreement. An owner's agent must perform the broker's minimum duties above and must inform the owner of any material information about the property or transaction known by the agent, including information disclosed to the agent or subagent by the buyer or buyer's agent.

AS AGENT FOR BUYER/TENANT: The broker becomes the buyer/tenant's agent by agreeing to represent the buyer, usually through a written representation agreement. A buyer's agent must perform the broker's minimum duties above and must inform the buyer of any material information about the property or transaction known by the agent, including information disclosed to the agent by the seller or seller's agent.

AS AGENT FOR BOTH - INTERMEDIARY: To act as an intermediary between the parties the broker must first obtain the written agreement of each party to the transaction. The written agreement must state who will pay the broker and, in conspicuous bold or underlined print, set forth the broker's obligations as an intermediary. A broker who acts as an intermediary:

- Must treat all parties to the transaction impartially and fairly;
- May, with the parties' written consent, appoint a different license holder associated with the broker to each party (owner and buyer) to communicate with, provide opinions and advice to, and carry out the instructions of each party to the transaction.
- Must not, unless specifically authorized in writing to do so by the party, disclose:
 - that the owner will accept a price less than the written asking price;
 - that the buyer/tenant will pay a price greater than the price submitted in a written offer; and
 - any confidential information or any other information that a party specifically instructs the broker in writing not to disclose, unless required to do so by law.

AS SUBAGENT: A license holder acts as a subagent when aiding a buyer in a transaction without an agreement to represent the buyer. A subagent can assist the buyer but does not represent the buyer and must place the interests of the owner first.

TO AVOID DISPUTES, ALL AGREEMENTS BETWEEN YOU AND A BROKER SHOULD BE IN WRITING AND CLEARLY ESTABLISH:

- The broker's duties and responsibilities to you, and your obligations under the representation agreement.
- Who will pay the broker for services provided to you, when payment will be made and how the payment will be calculated.

LICENSE HOLDER CONTACT INFORMATION: This notice is being provided for information purposes. It does not create an obligation for you to use the broker's services. Please acknowledge receipt of this notice below and retain a copy for your records.

Home Asset, Inc., dba NewQuest Properties	420076	-	(281)477-4300
Licensed Broker/Broker Firm Name or Primary Assumed Business Name	License No.	Email	Phone
H. Dean Lane, Jr.	366134	dlane@newquest.com	(281)477-4300
Designated Broker of Firm	License No.	Email	Phone
H. Dean Lane, Jr.	366134	dlane@newquest.com	(281)477-4300
Licensed Supervisor of Sales Agent/Associate	License No.	Email	Phone
_____	_____	_____	_____
Sales Agent/Associate's Name	License No.	Email	Phone

Buyer/Tenant/Seller/Landlord Initials

Date

