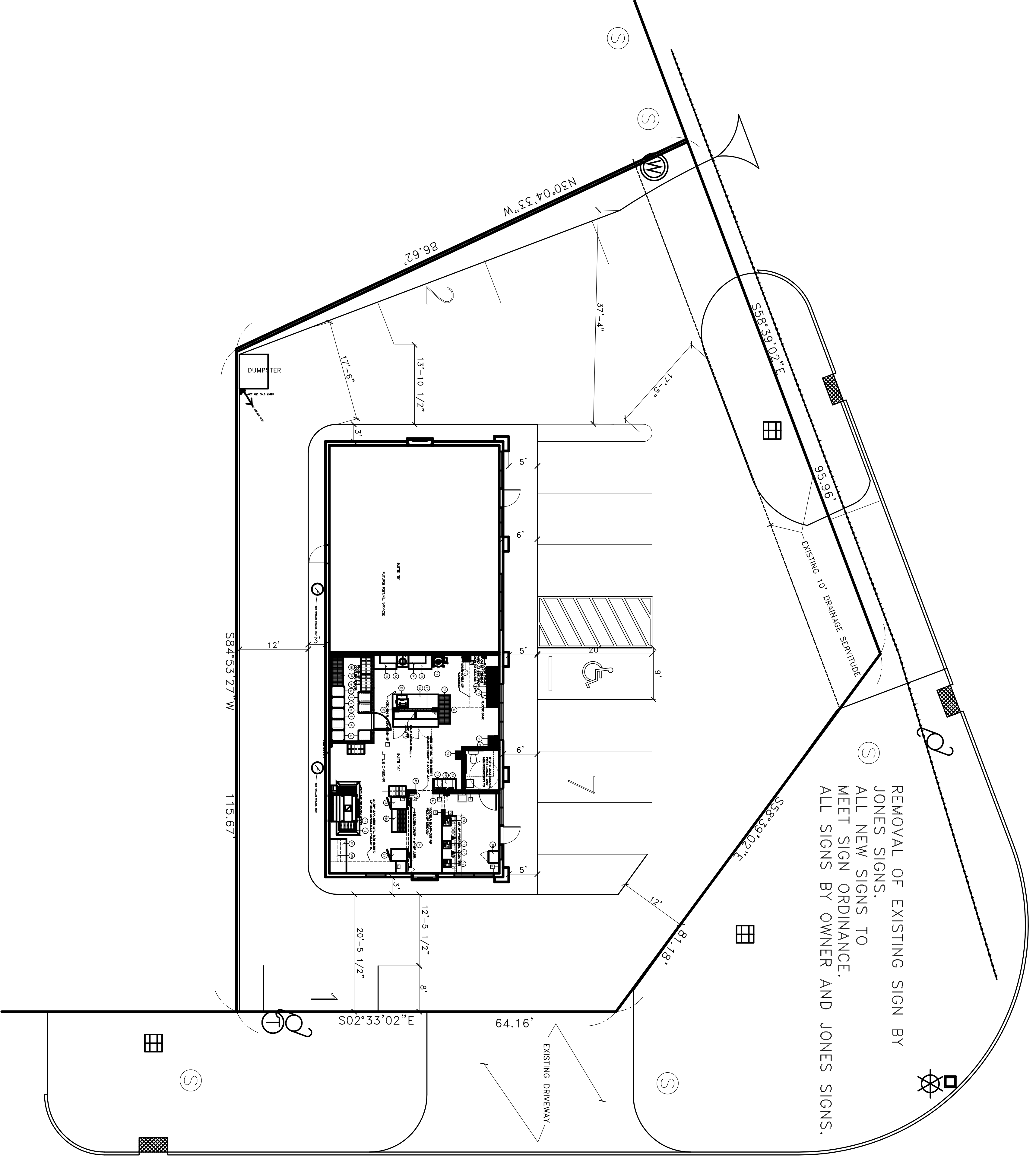


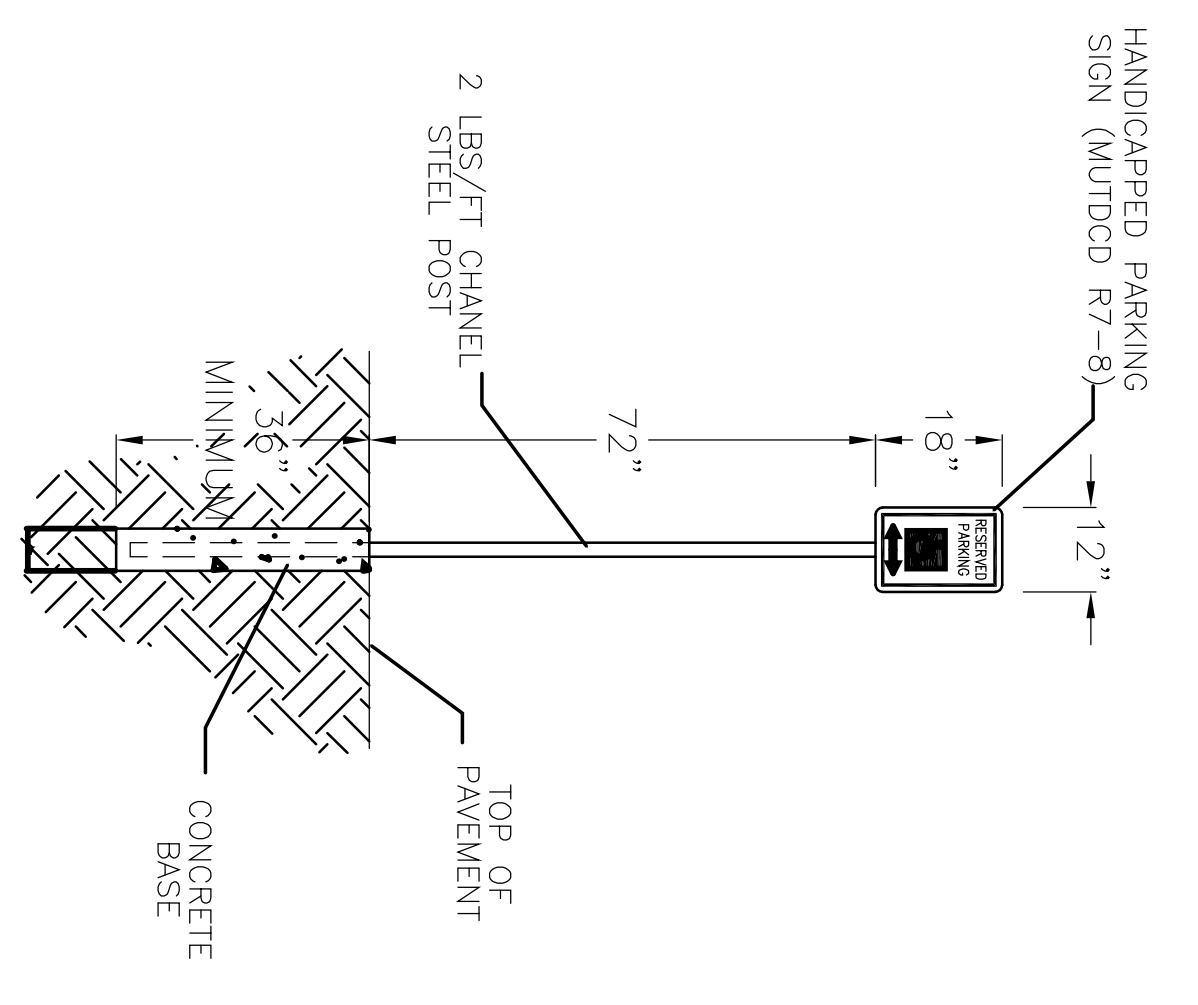
HOPER ROAD
(R/W VARIES)

REMOVAL OF EXISTING SIGN BY JONES SIGNS.
ALL NEW SIGNS TO MEET SIGN ORDINANCE.
ALL SIGNS BY OWNER AND JONES SIGNS.

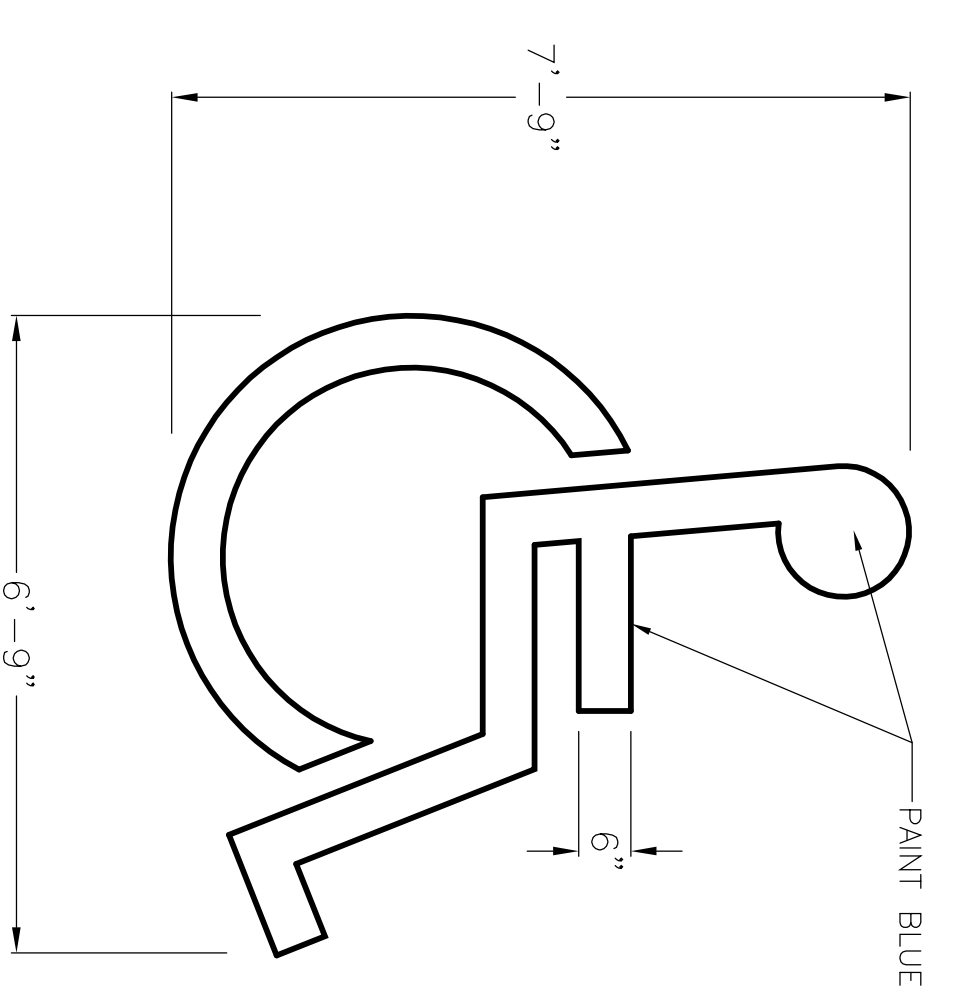
JOOOR ROAD
(R/W VARIES)



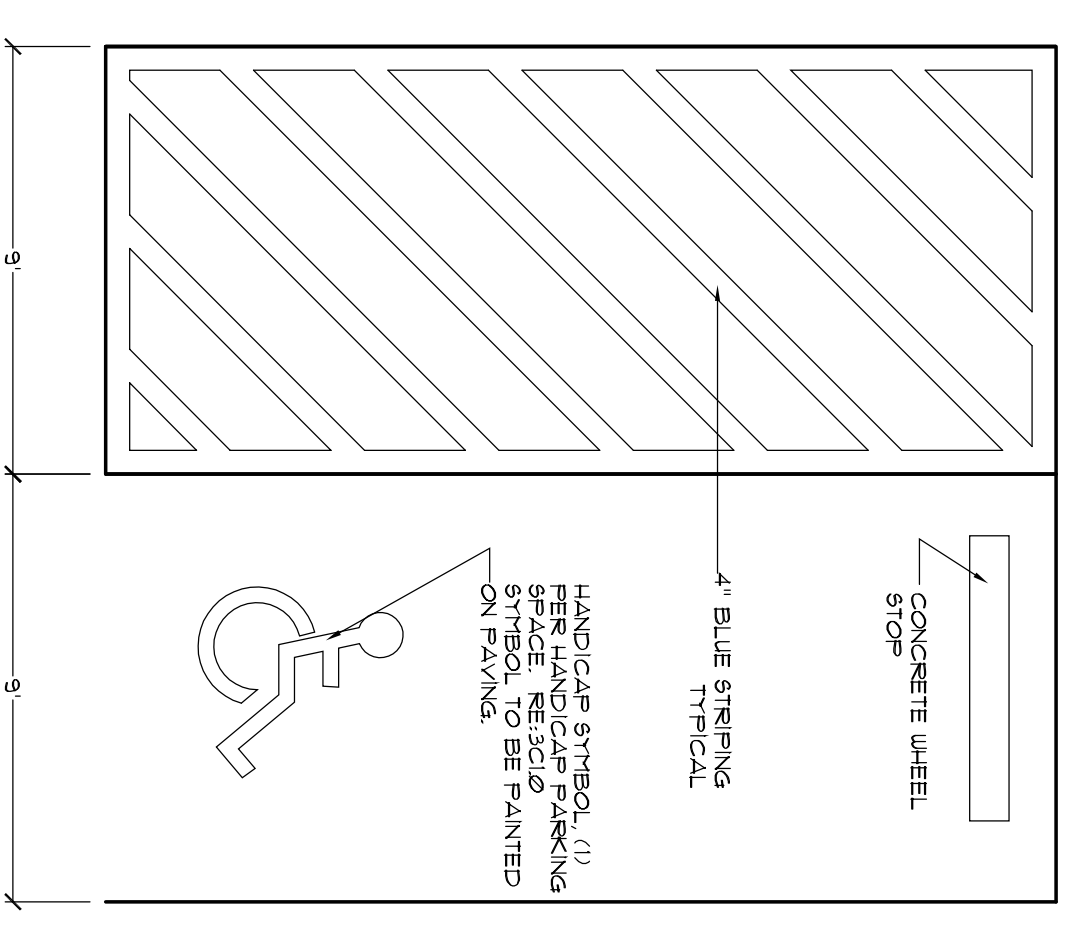
1 SITE PLAN
SCALE: 1" = 10'-0"



2 HANDICAPPED PARKING SIGN
NOT TO SCALE



3 HC SYMBOL DETAIL
NOT TO SCALE



3 HC PARKING DETAIL
SCALE: 1/4" = 1'-0"

Revisions

Little Caesar ENTERPRISES, INC.
10953 JOOR RD.
CENTRAL, LOUISIANA 70218



MARK MATTHEWS
AIA • ARCHITECT
11802 Cloverland Ct. • Baton Rouge, LA • 70809 • (225) 756-5011

Date:	11-01-2013
Drawn:	JPD
Checked:	HPM
Job Number:	
Sheet:	C11