

288 GRAND STREET

WILLIAMSBURG, BROOKLYN



RETAIL SPACE
FOR LEASE

SPACE HIGHLIGHTS

LOCATION

Between Roebling
& Havemeyer St

SPACE

950 SF

CEILING HEIGHT

10 FT

FRONTAGE

20 FT

DIMENSIONS

43 FT x 22 FT

ZONING

C2-4

OCCUPANCY

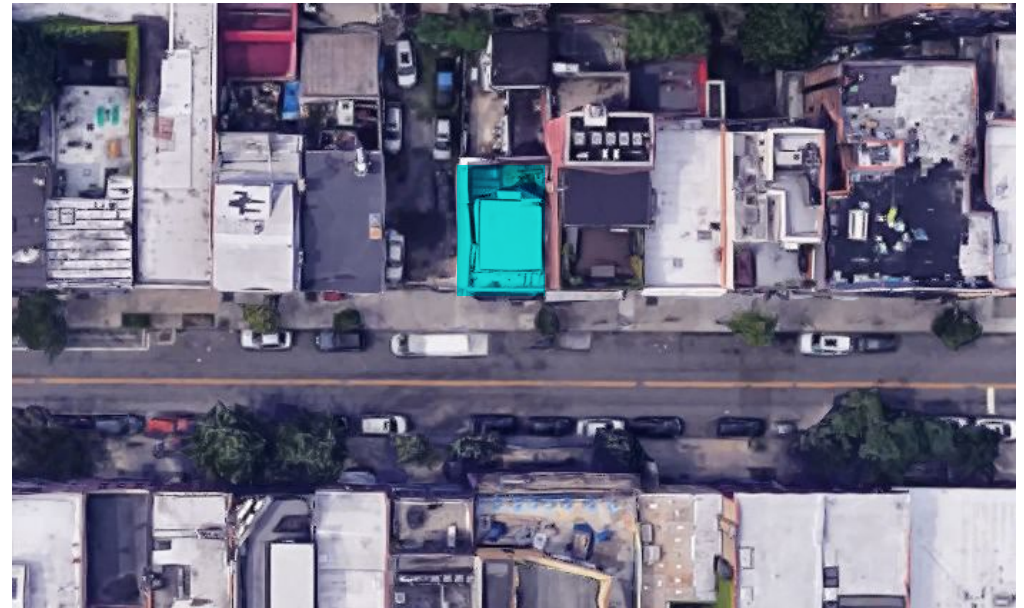
Immediate

ASKING RENT

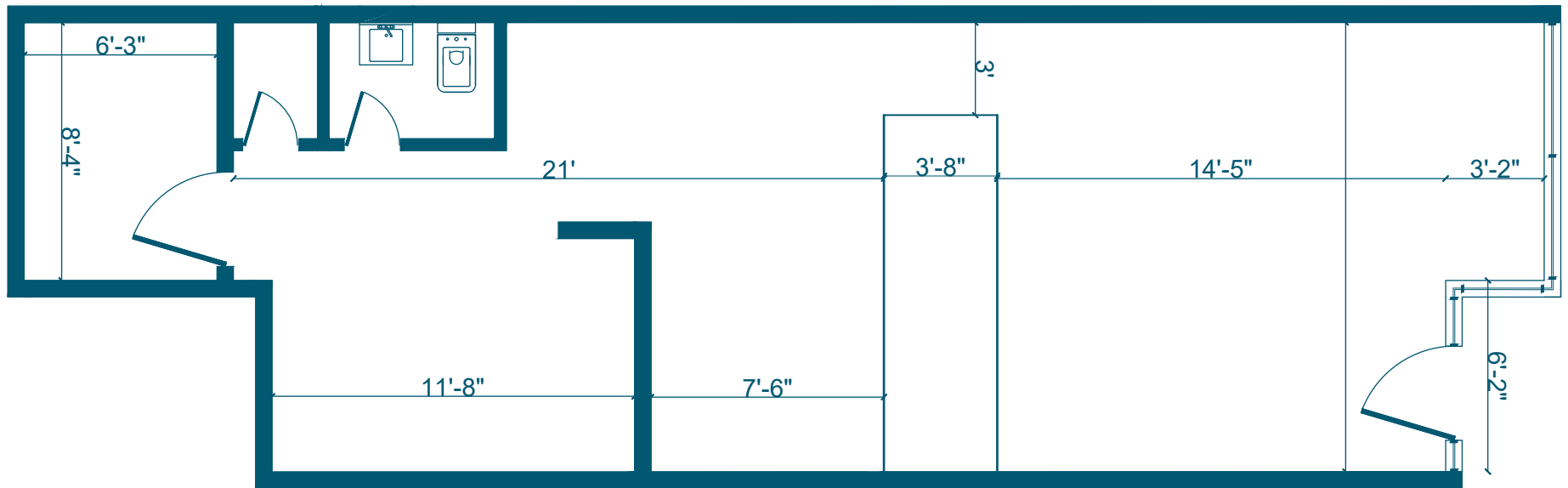
Upon Request

HIGHLIGHTS

- Delivered White boxed with Flooring
- 2 HVAC Installed
- Previously Setup at Ice Cream Shop
- Great Foot/Vehicle Traffic



FLOORPLAN & DETAILS



SPACE

Size	950 SF
Ceiling Heights	10 FT
Frontage	20 FT
Dimensions	43 FT x 22 FT

WILLIAMSBURG BROOKLYN

288 GRAND STREET

SPACE DEVELOPMENT



NEIGHBORHOOD DEMOGRAPHICS



171,179

POPULATION
WITHIN 1-MILE
RADIUS



33 Years

AVERAGE
POPULATION
AGE



29.12%

POPULATION
GROWTH
SINCE 2010



\$94,890

AVERAGE HHI
WITHIN 1-MILE
RADIUS



4,962

TOTAL BUSINESSES
WITHIN 1-MILE
RADIUS



\$1.5 bn

ANNUAL SPENDING
WITHIN 1-MILE
RADIUS

WILLIAMSBURG BROOKLYN

288 GRAND STREET

NEIGHBORHOOD & TRANSPORTATION

NEIGHBORHOOD TENANTS

- Bozu
- Midway Bar LLC
- Dardy Bar
- The Four Horsemen
- Maracuja Bar and Grill
- Atlas Cafe
- Clem's
- Fiore
- Zizi Limona
- Full Circle Bar
- Taco Chulo
- Juanchi's Burger
- Tabaré
- Have & Meyer
- Hope Lounge
- Walter Foods
- Banter Bar
- Little Choc Apothecary
- St. Mazie Bar & Supper Club
- Emmy Squared - Brooklyn
- Gertie
- Eddie Jr.'s Sports Lounge
- Mid East Pita
- Cerveceria Havemeyer
- Blue Collar
- L'industrie pizzeria

TRANSPORTATION

- 9 Min Walk at Bedford Avenue (0.4 mi)
- 9 Min Walk at Marcy Avenue (0.4 mi)
- 10 Min Walk at Metropolitan Avenue (0.5 mi)
- 10 Min Walk at Lorimer Street (0.5 mi)
- 14 Min Walk at Hewes Street (0.7 mi)



WILLIAMSBURG BROOKLYN

288 GRAND STREET

CONTACT

