

2109 O'TOOLE AVENUE

SAN JOSE, CALIFORNIA | ±1,000 SF - ±1,981 SF FOR LEASE

REDWOOD
BUSINESS PARK 2109
O'TOOLE AVENUE

For more information, please contact:

Liam Martin
Associate
+1 408 436 3619
liam.martin@cushwake.com
LIC #02081625

Steve Pace
Executive Director
P +1 408 615 3419
steve.pace@cushwake.com
LIC #00817396

Dan Hollingsworth
Executive Managing Director
P +1 408 615 3431
dan.hollingsworth@cushwake.com
LIC #01117716

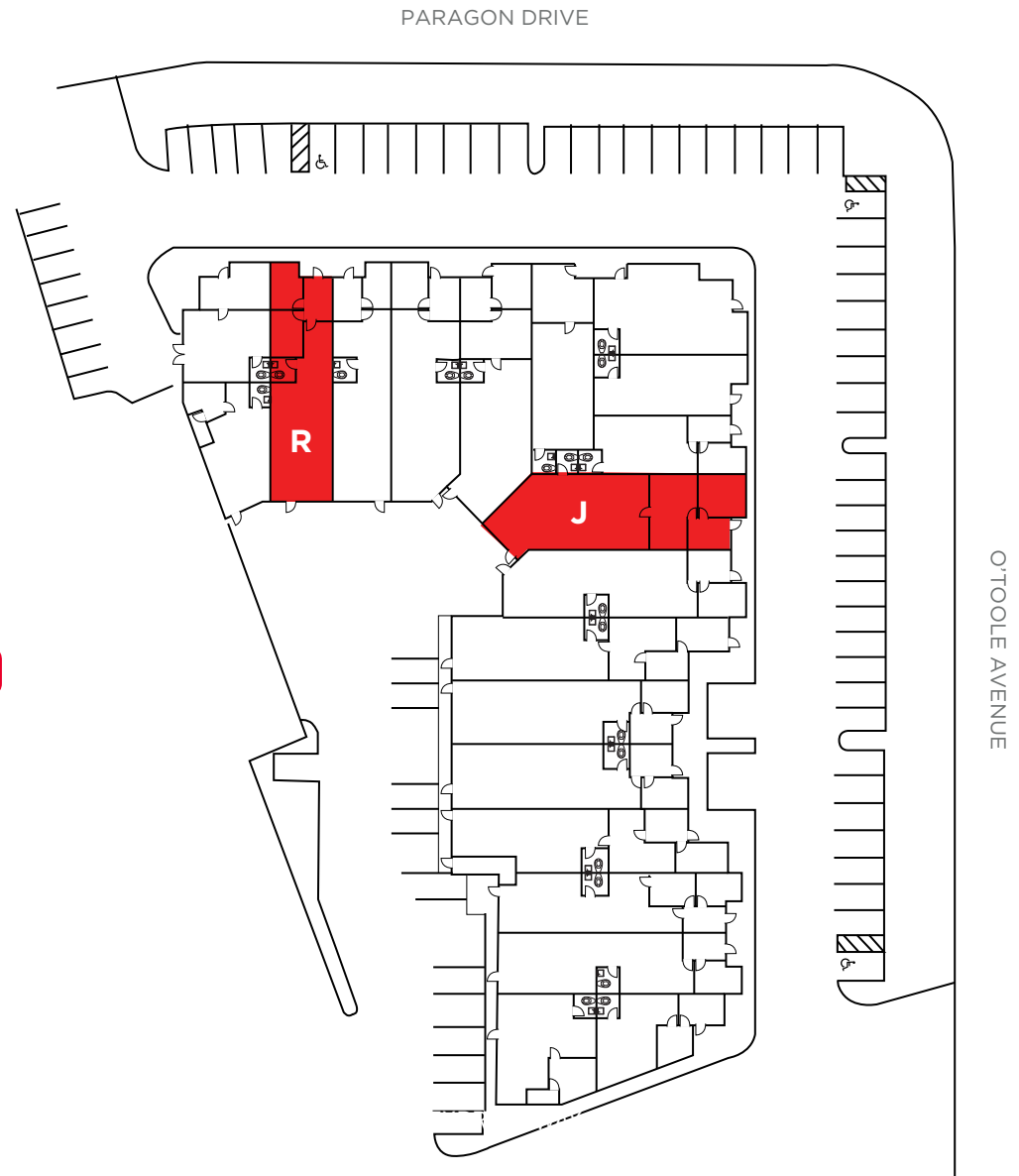
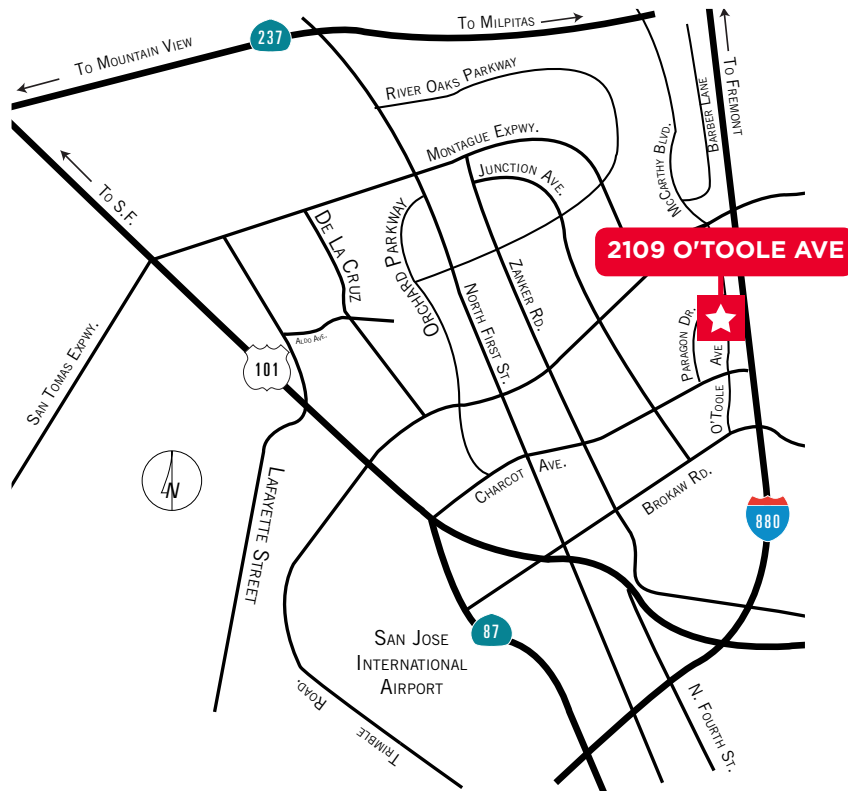


2109 O'TOOLE AVENUE

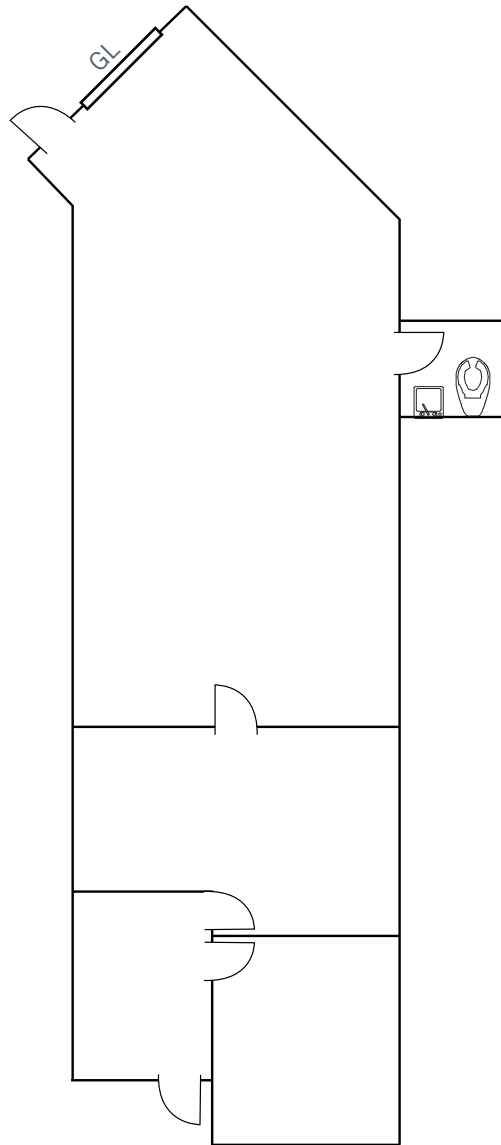
San Jose, California

Highlights

- Grade Level Loading
- Quick Access to 880



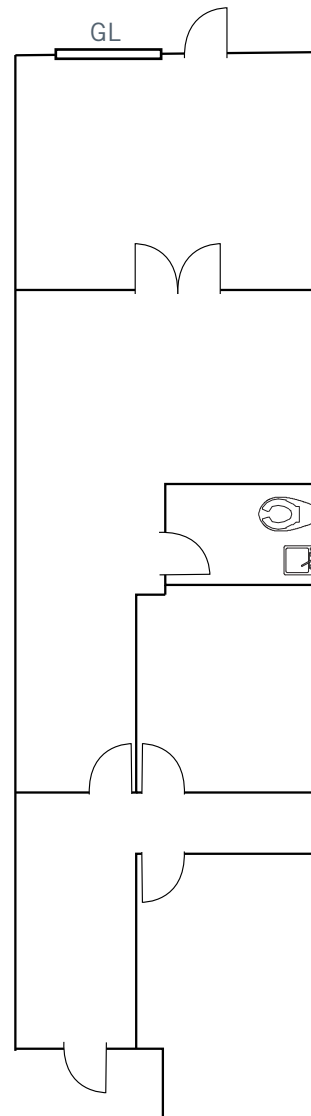
Floor Plan



SUITE J ±1,981 SF

- 100% HVAC
- Grade Level Door

Floor Plan



SUITE R ±1,600 SF

- 100% HVAC
- 13' Clear Height
- Power: 120A @ 208V
- Grade Level Door

Public Transit and Amenities

