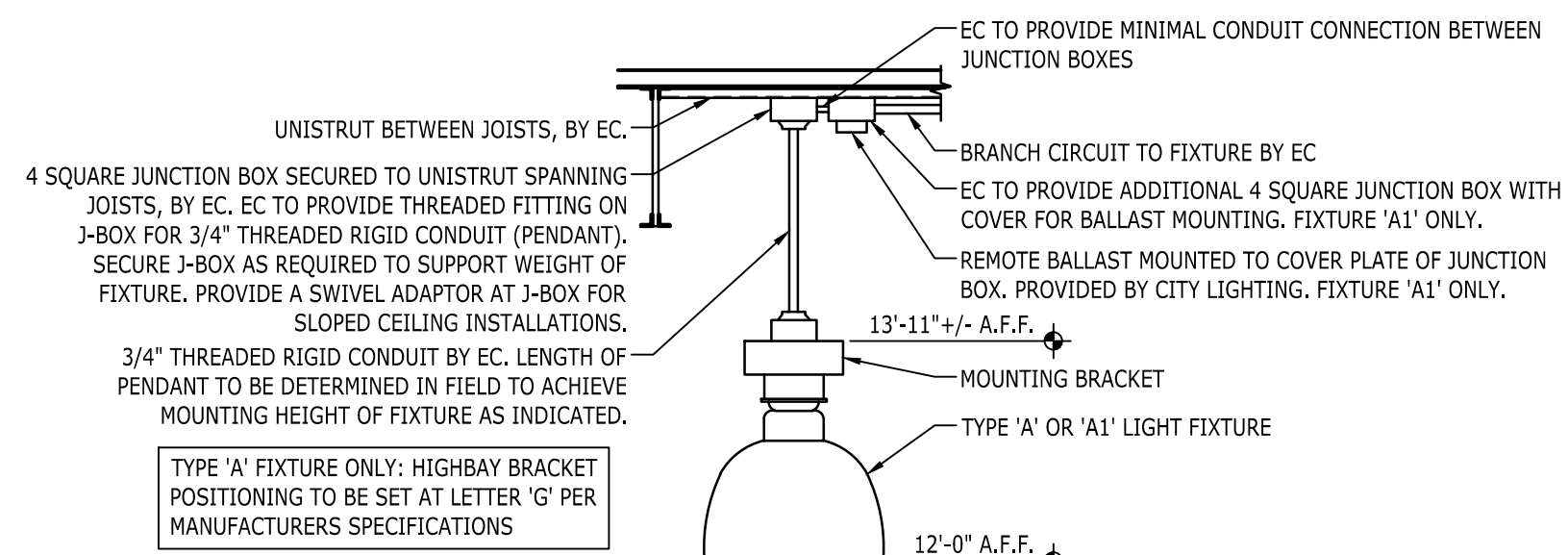


GENERAL NOTES:

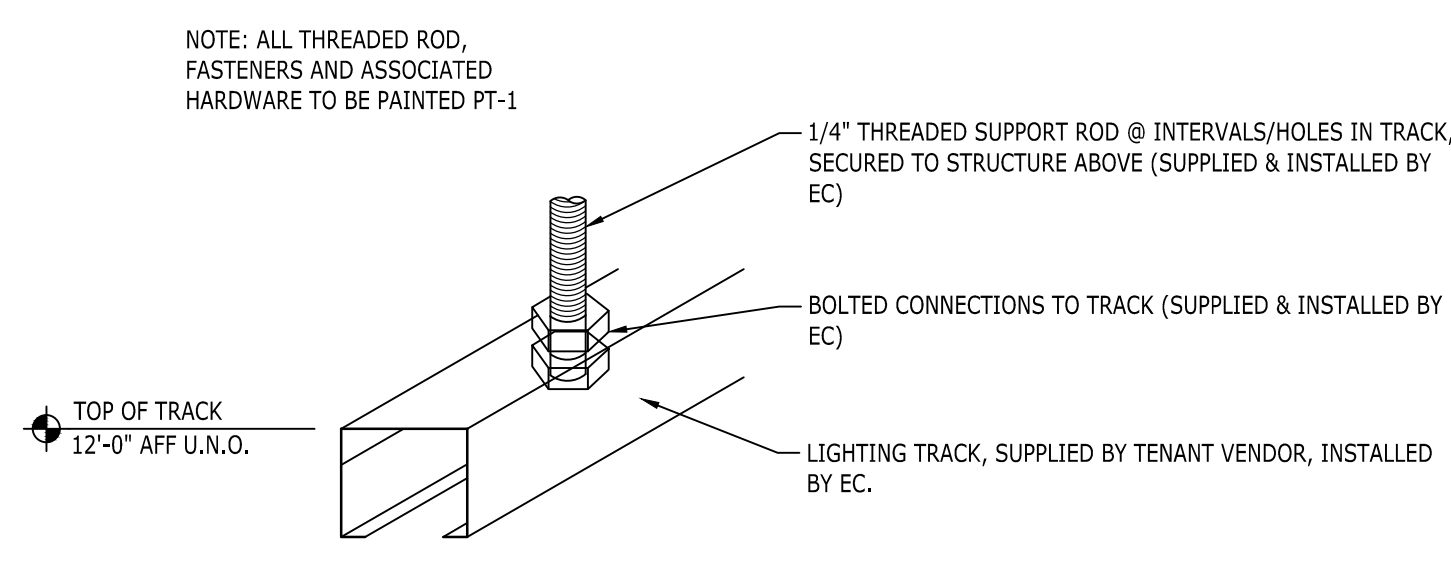
- A. DO NOT SCALE DRAWINGS.
- B. REFER TO SHEET IS1 FOR RESPONSIBILITIES.
- C. LIGHT FIXTURE 'A' TO BE HELD 5'-0" OC FROM ADJACENT PARALLEL WALL, UNO.
- D. LIGHT FIXTURE 'C' AND 'TR' TO BE HELD 4'-6" OC FROM ADJACENT PARALLEL PARTITION, CENTERED IN WALL SHOP, UNO.
- E. ALL FIXTURES PROVIDED BY TENANT VENDOR, UNO. LIGHT FIXTURE 'F' PROVIDED BY GC.
- F. TENANT'S VENDOR TO PROVIDE NEW 4100K LAMPS. VERIFY IN FIELD STYLE/TYPICAL OF LAMPS. COORDINATE WITH TENANT'S VENDOR EXISTING LAMP TYPES AND QUANTITIES.

KEY NOTES:

- 1. CENTER LIGHT FIXTURE IN ROOM.



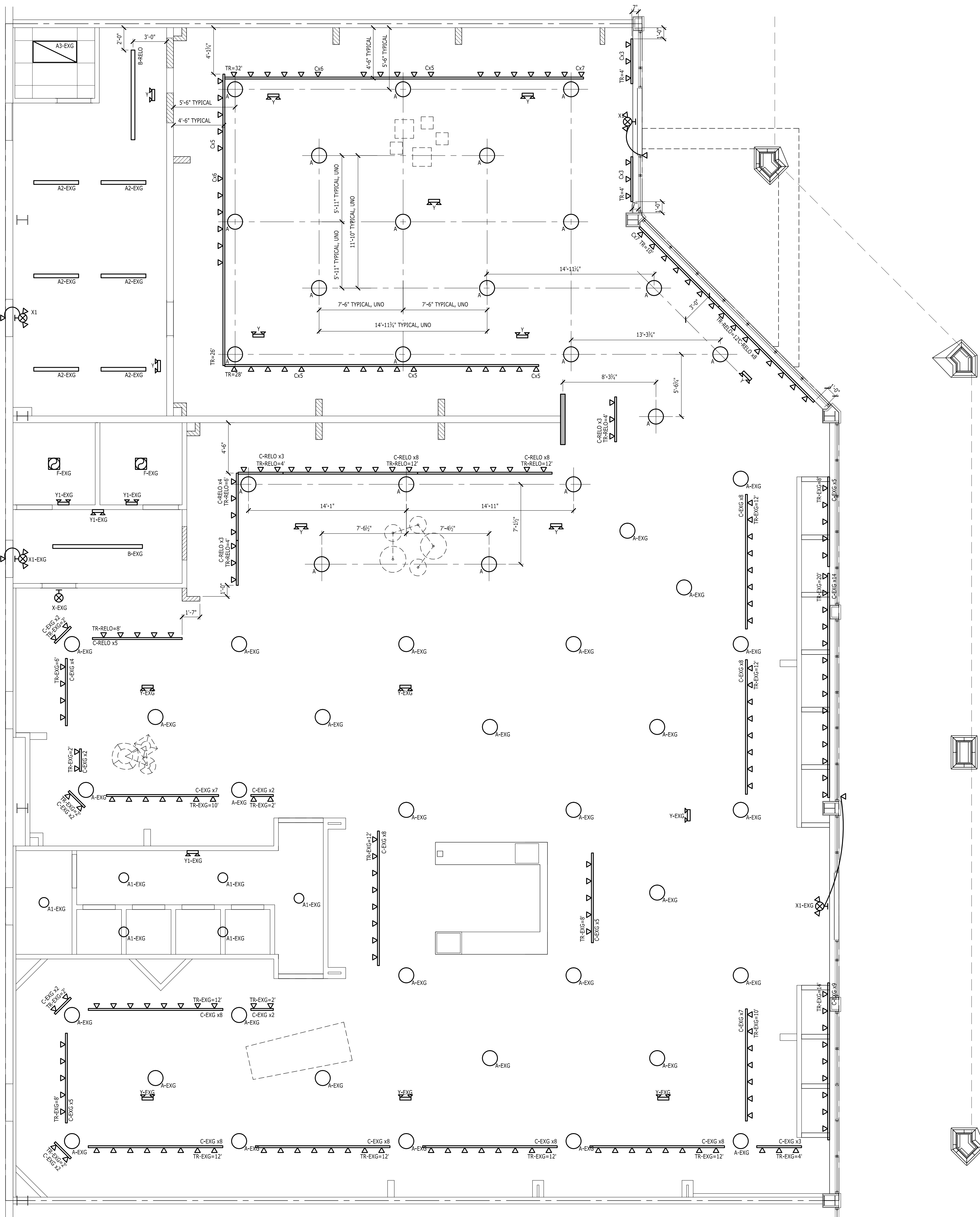
2 Highbay Mounting Detail
SCALE: NTS



3 Track Mounting Detail
SCALE: NTS

LIGHT FIXTURE LEGEND								
SYMBOL	TYPE	MANUFACTURER	PRODUCT NUMBER	DESCRIPTION	LAMPING	MTG METHOD	MTG HT	COMMENTS
○	A	HUBBELL	BL1758P2WH-BLPCNC	HIGH BAY LIGHTING	(1) 175W MH	SEE DETAIL 2/A5	12'-0" AFF	SEE DETAIL 2/A5 FOR ADDITIONAL INFORMATION
○	A1	JUNO	SC100PSG10	HIGH BAY LIGHTING	(1) 100W MH	SEE DETAIL 2/A5	12'-0" AFF	SEE DETAIL 2/A5 FOR ADDITIONAL INFORMATION
▬	A2	DAYRITE	T232-277-1/2EB	STRIP LIGHT	(2) F32W COMPACT FLUORESCENT COOL WHITE	SURFACE/STRUCTURE		
▬	A3	DAYRITE	2TG8332-12-277-1/3EB	2X4 LAY-IN FLUORESCENT	(3) F32W TB COOL WHITE	LAY-IN GRID	CLG HEIGHT	PRISMATIC LENS
▬	B	COOPER	8TSSP-132-EB81	STRIP LIGHT	(2) 28W F028/841/XX/SS/ECCO	AIRCRAFT CABLE	12'-0" AFF	
△	C	LAZER BY HALO		TRACK HEAD	(1) 13W LED PAR30	TRACK	12'-0" AFF	
▬	F	GREENHECK	SP-A125-L	COMBO LIGHT/FAN	(1) 50W TYPE-A	CEILING	CLG HEIGHT	
▬	TR	HALO	L651P/L652P	TRACK		SEE DETAIL 3/A5	12'-0" AFF	
⊗	X	COMPASS	CER	EXIT SIGN	INCLUDED	WALL	6\"/>	

ALL FIXTURES TO BE NEW UNLESS NOTED OTHERWISE. EXISTING TO BE RELOCATED FIXTURES NOTED WITH 'RELO'. FIXTURES EXISTING TO REMAIN NOTED WITH 'EXG'. WHERE EXISTING FIXTURES ARE TO REMAIN, REPLACE FIXTURES/BALLASTS AS NEEDED FOR LIKE NEW APPEARANCE AND OPERATION.



1 LIGHTING PLAN
SCALE: 1/4" = 1'-0"

REVISIONS

REVISIONS

LIGHTING PLAN AND DETAILS

SHEET NUMBER

A5