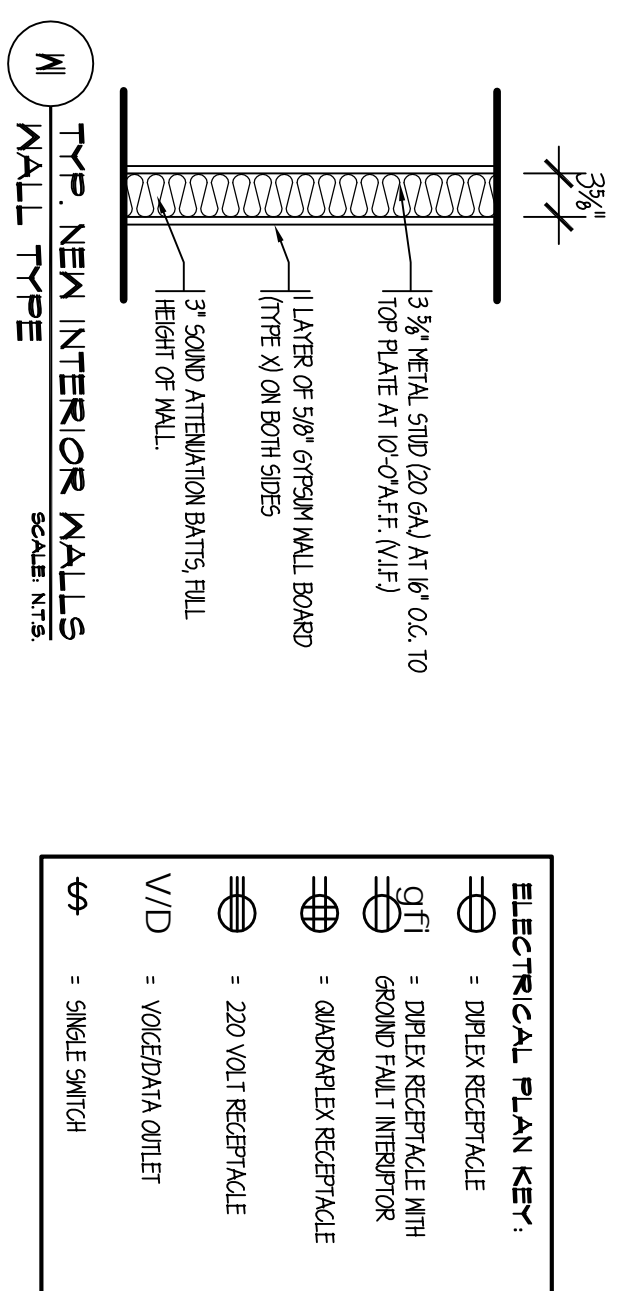
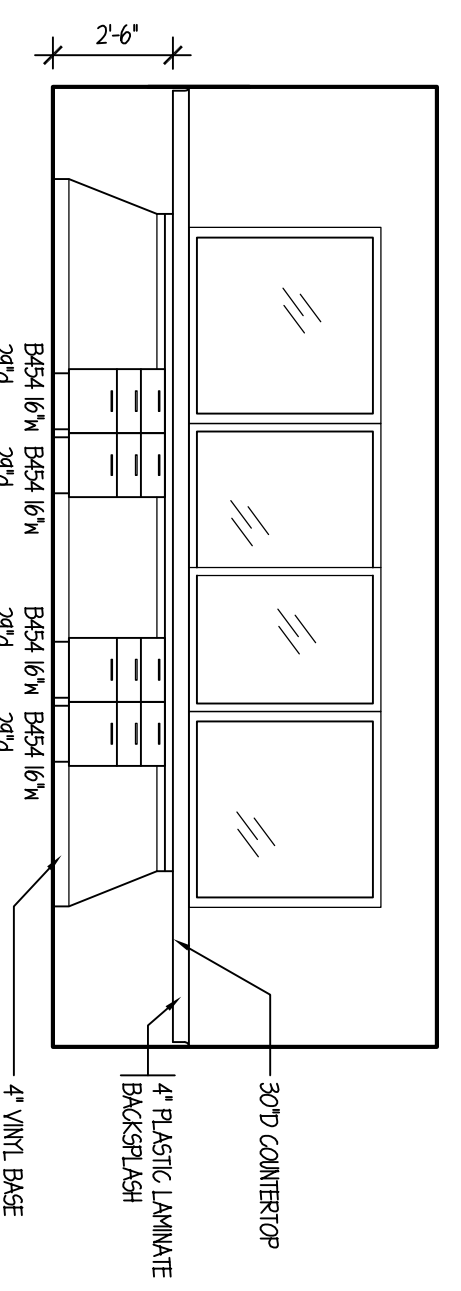
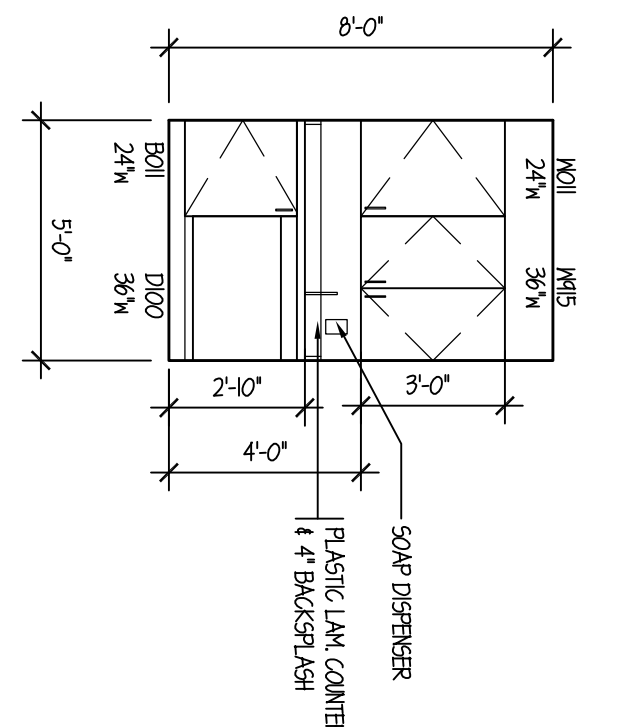
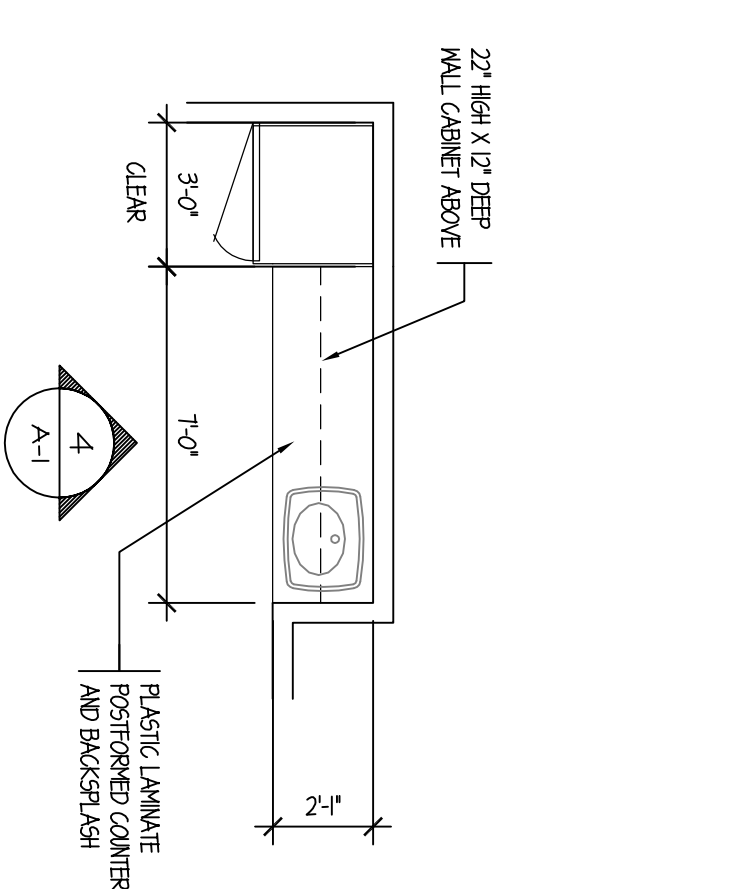
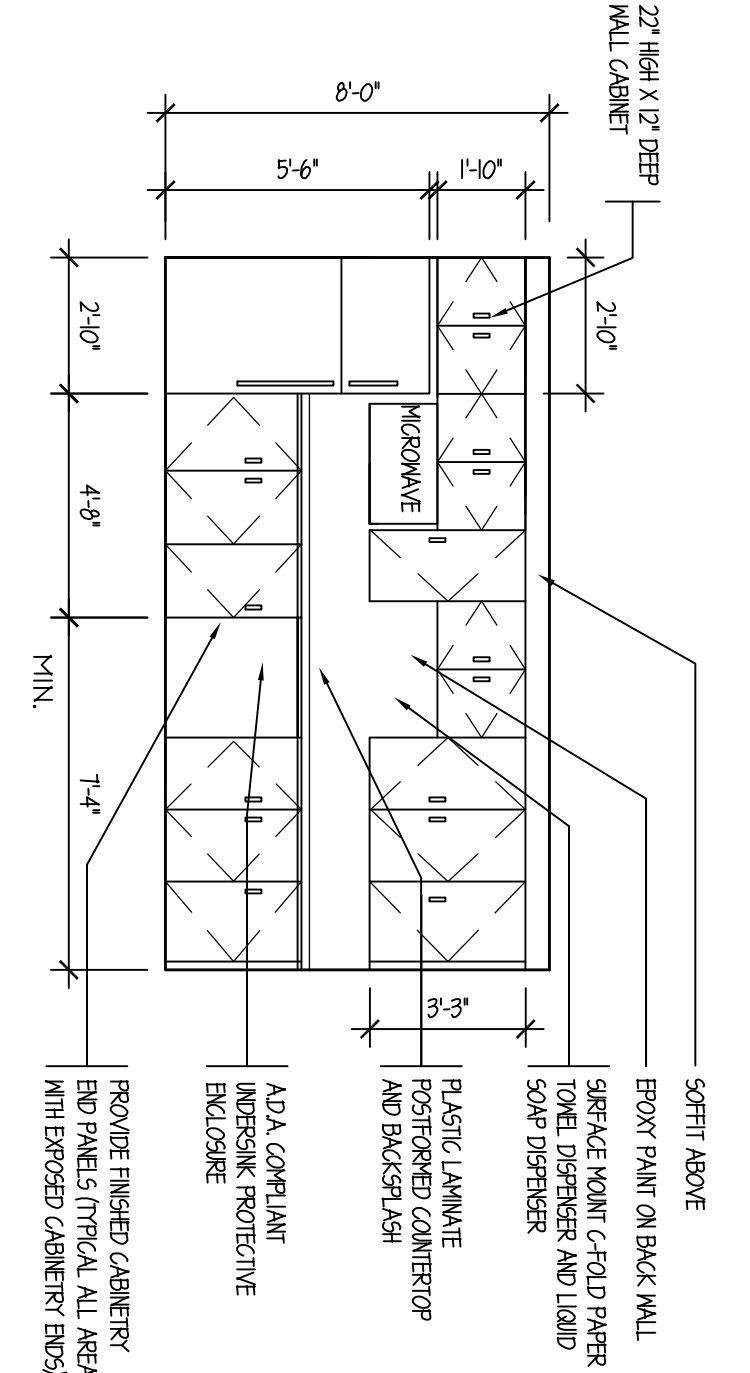
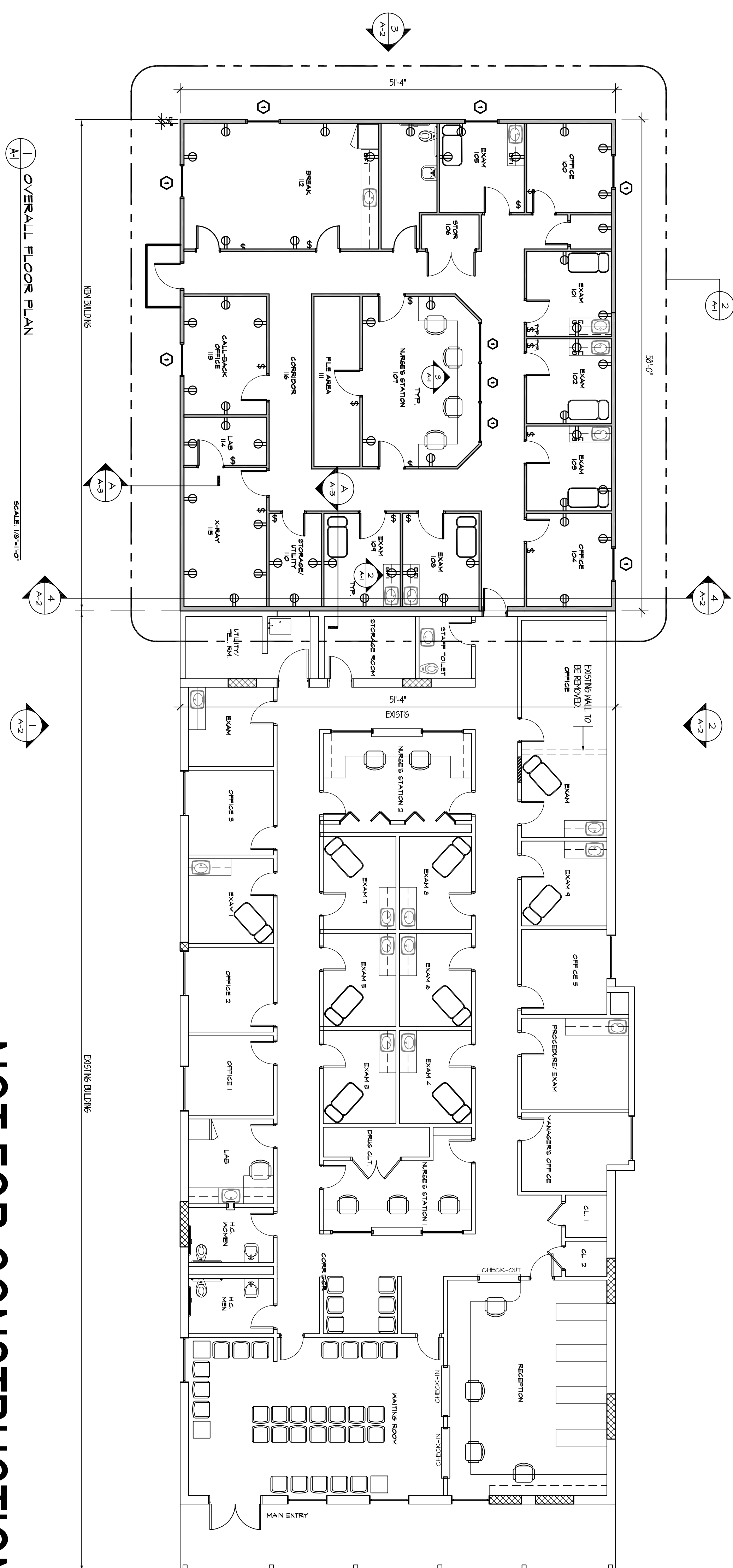


ROOM #	ROOM NAME	BASE FINISH	FLOOR FINISH	WALL FINISHES	CEILING
100	OFFICE	CVB	CARPET	PAINT PAINT PAINT PAINT SAT. 8'-0"	NORTH EAST SOUTH WEST MATH HEIGHT
101	EXAM	CVB	CARPET	PAINT PAINT PAINT PAINT SAT. 8'-0"	
102	EXAM	CVB	CARPET	PAINT PAINT PAINT PAINT SAT. 8'-0"	
103	EXAM	CVB	CARPET	PAINT PAINT PAINT PAINT SAT. 8'-0"	
104	OFFICE	CVB	CARPET	PAINT PAINT PAINT PAINT SAT. 8'-0"	
105	EXAM	CVB	CARPET	PAINT PAINT PAINT PAINT SAT. 8'-0"	
106	STORE	CVB	CARPET	PAINT PAINT PAINT PAINT SAT. 8'-0"	
107	NURSE'S STATION	CVB	CARPET	PAINT PAINT PAINT PAINT SAT. 8'-0"	
108	EXAM	CVB	CARPET	PAINT PAINT PAINT PAINT SAT. 8'-0"	
109	EXAM	CVB	CARPET	PAINT PAINT PAINT PAINT SAT. 8'-0"	
110	STOR./UTIL.	CVB	CARPET	PAINT PAINT PAINT PAINT SAT. 8'-0"	
111	FILE AREA	CVB	CARPET	PAINT PAINT PAINT PAINT SAT. 8'-0"	
112	BREAK	CVB	CARPET	PAINT PAINT PAINT PAINT SAT. 8'-0"	
113	CALL-BACK OFFICE	CVB	CARPET	PAINT PAINT PAINT PAINT SAT. 8'-0"	
114	LAB	CVB	CARPET	PAINT PAINT PAINT PAINT SAT. 8'-0"	
115	X-RAY	CVB	CARPET	PAINT PAINT PAINT PAINT SAT. 8'-0"	
116	CORRIDOR	CVB	CARPET	PAINT PAINT PAINT PAINT SAT. 8'-0"	

CVB = COVE VINYL BASE  
MC = WALL COVERING



- ELECTRICAL PLAN KEY:**
- = BREAK RECEPTACLE
  - = BREAK RECEPTACLE WITH GROUND FAULT INTERRUPTER
  - = GROUND FAULT INTERRUPTER
  - = 200 VOLT RECEPTACLE
  - = VENTILATION OUTLET
  - = SNEEZEBLOCK



**NOT FOR CONSTRUCTION**