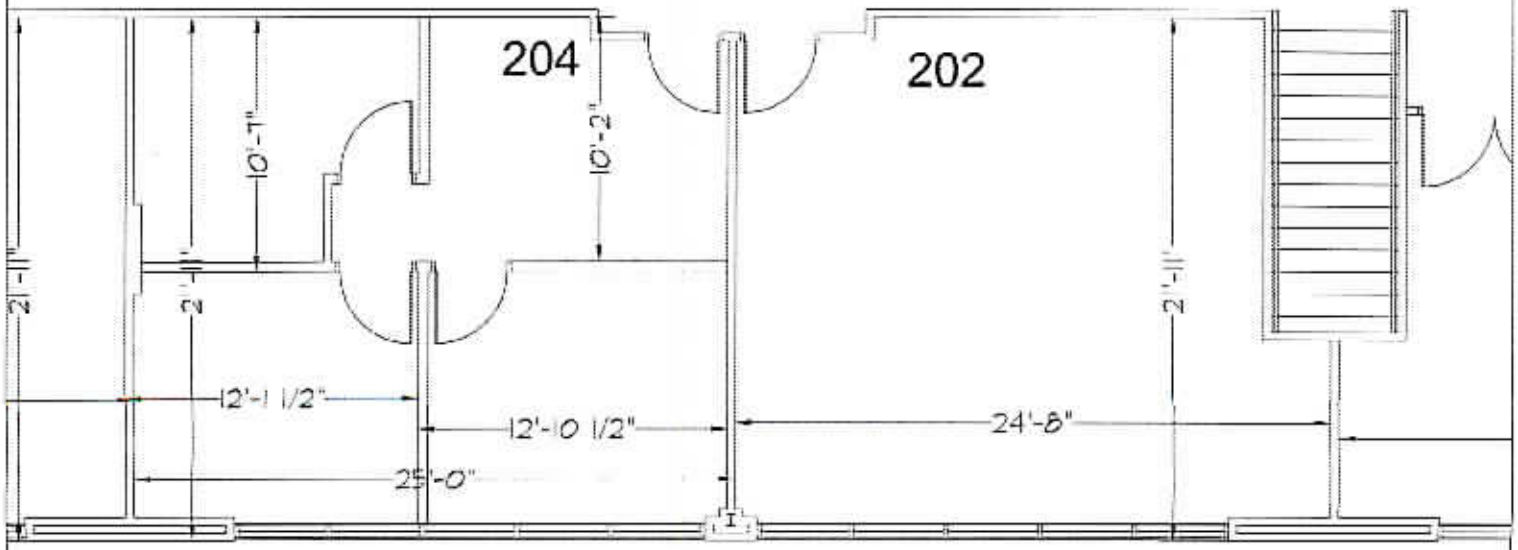
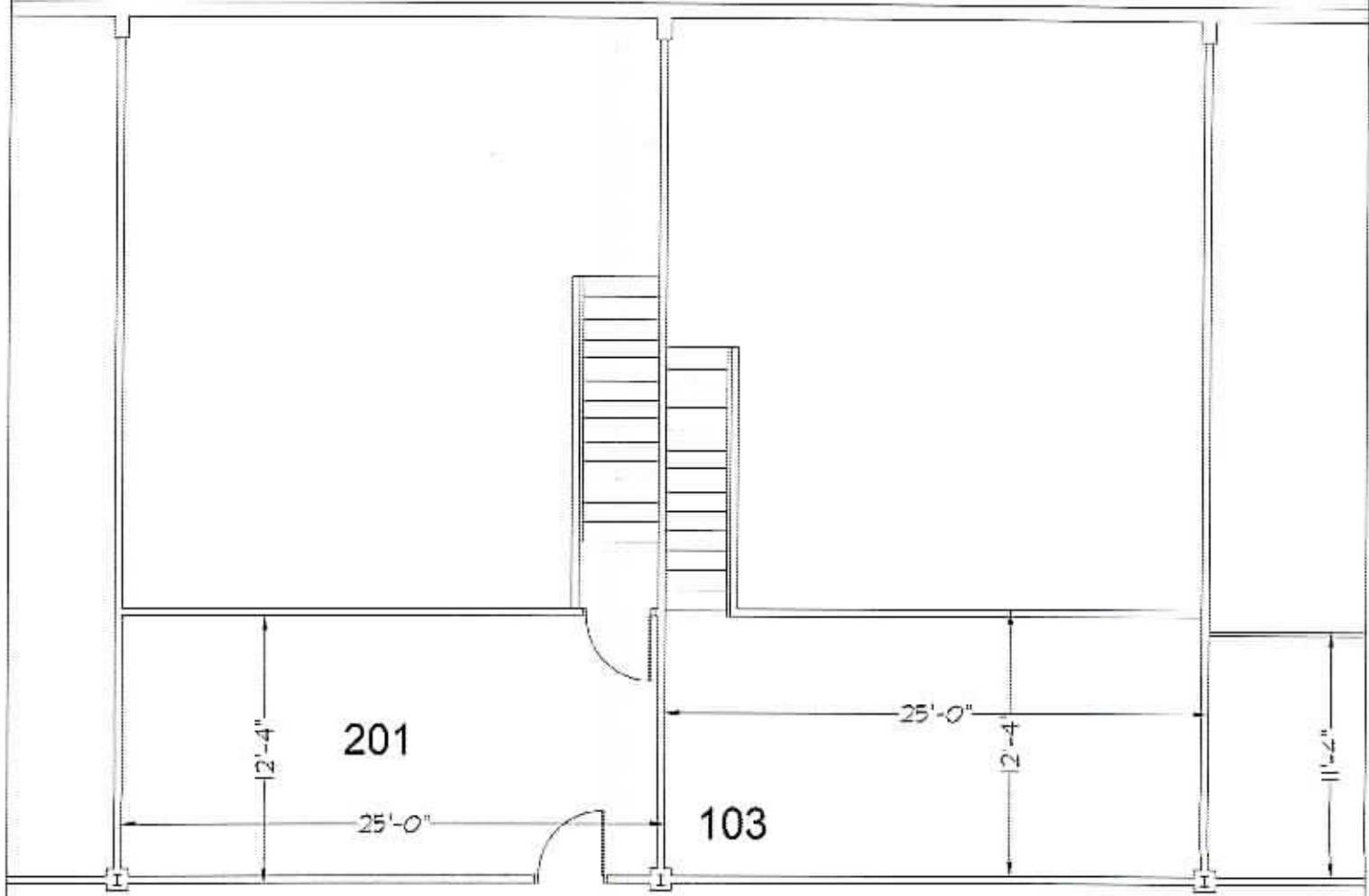


1/8" = 1'-0"




C. PELL, ARCHITECT, LLC

epell@architect.com  
6351 S. BLACKHAWK WAY, 302-718-1343



1/8" = 1'-0"

 C. PELL, ARCHITECT, LLC  
cpell@lurhh.com  
6251 E. BLACKHAWK WAY, 305-718-1343